

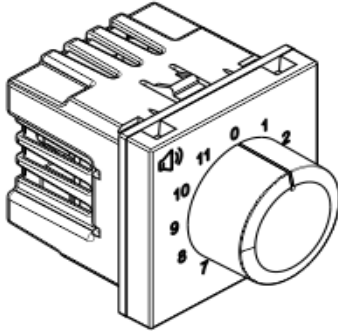
Myrius™

Ref . No. : 679270/ 677470

Volume controller 2M

Date : 05-03-2020

Rev.1

**1. USE**

Volume controller is used to control the volume of speaker when connected to a music system via amplifier

2.Type

Volume controller 2M

No. of modules : 2

No. of steps : 11 + OFF

Colour : White / Charcoal Grey

Mounting : Flush and Surface -mounted

3.OVERALL DIMENSIONS

Width : 45 mm

Height : 45 mm

Depth : 57.2 mm

Weight (g) : 51.1

4.CONNECTION

Terminal : with screws

5.OPERATION

Mechanical rotation of shaft in clockwise to increase the volume and anti- clock wise to decrease the volume.

Control is by way of steps

6.TECHNICAL CHARACTERISTICS**6.1 Material Characteristics**

Top plate : Polycarbonate

Base : Polycarbonate

Knob : Polycarbonate

Self - extinguishing : 850° C / 30 s.

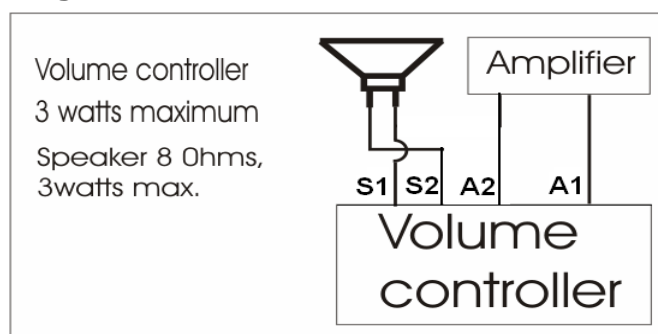
Mechanism : Electronic

6.2 Electricals Characteristics

Output : 3W max

for speaker : 8Ω 3W

Audible distortion of sound with speakers connected = Nil

7. Connection diagram**8.CONFORMITY - APPROVALS**

Legrand Standard